



- Optical principle
- Incremental measurement
- 6, 8 or 10 mm shaft diameters
- Resolution options up to 20000 pulse
- 300 KHz response frequency

## TECHNICAL SPECIFICATIONS

Process Temperature	- 25 to 85 °C
Stock Temperature	- 40 to 100 °C
Body	58 mm Diameter
Response Frequency	300 KHz
Operating Speed	6.000 RPM max.
Shaft Diameter	6 mm, 8 mm, 10 mm

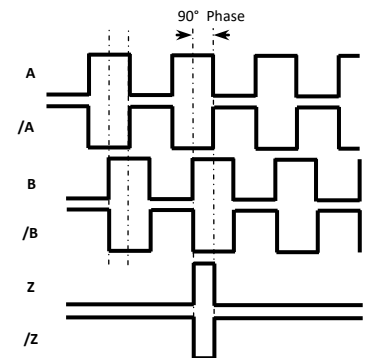
## ELECTRICAL SPECIFICATIONS

Supply Voltage	+5 VDC, +10VDC...30VDC
Supply Current	50mA Nominal
Output Type	Push Pull, TTL Line Driver, Open Collector
Output Signals	A, /A, B, /B, Z, /Z
Output Current	100mA max. (Every Channel)
Connection	8 x 0,14 mm <sup>2</sup> Cable with shield

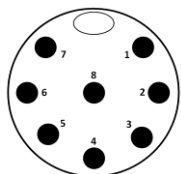
## OUTPUT SIGNALS

PIN NO	SIGNAL	CABLE COLOR
1	A	YELLOW
2	/B	WHITE
3	+V	RED
4	0 V	BLACK
5	/A	BLUE
6	B	GREEN
7	/Z	GREY
8	Z	PINK
9	GROUND	SHIELD

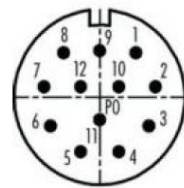
The cable colors of the output signals of the left table sensor are given. If the control circuit is available, the output signals (/ A, / B, / Z) of the Line Driver sensors must be included in the system. If the control circuit is not available, the wires of the A, / B, / Z signals must be fixed separately. It should not be forgotten that there is electricity also at these edges.



S16 PIN NO	SIGNAL	CABLE COLOR
1	A	YELLOW
2	/B	WHITE
3	+V	RED
4	0 V	BLACK
5	/A	BLUE
6	B	GREEN
7	/Z	GREY
8	Z	PINK
	GROUND	SHIELD

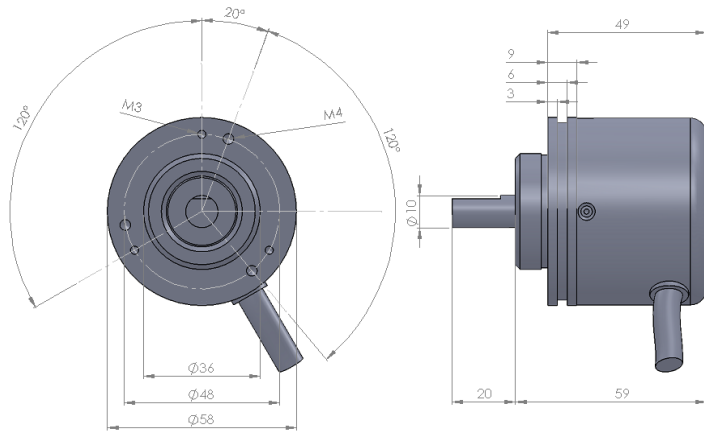


S23 PIN NO	SIGNAL	CABLE COLOR
5	A	YELLOW
1	/B	WHITE
12-2	+V	RED
10-11	0 V	BLACK
6	/A	BLUE
8	B	GREEN
4	/Z	GREY
3	Z	PINK
9	GROUND	SHIELD

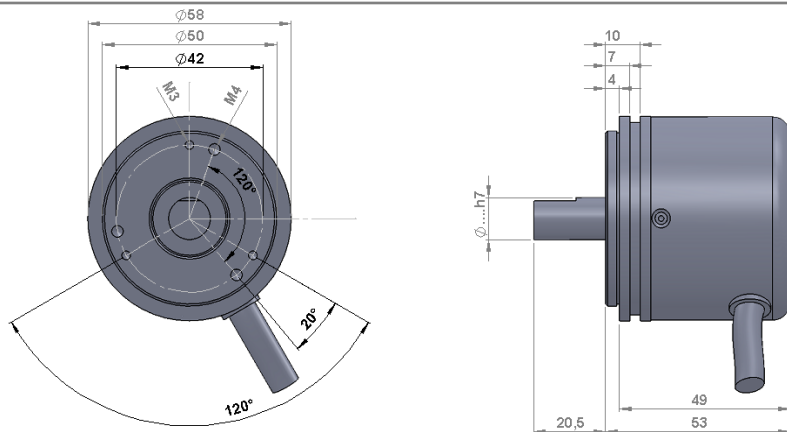


MECHANICAL DIMENSIONS

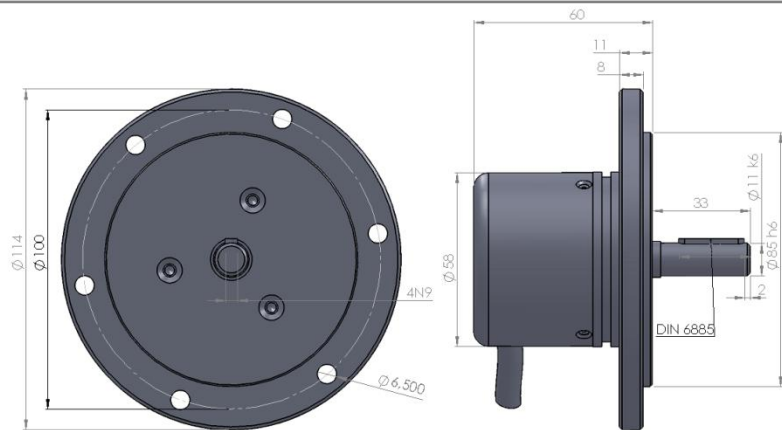
Clamping Flange



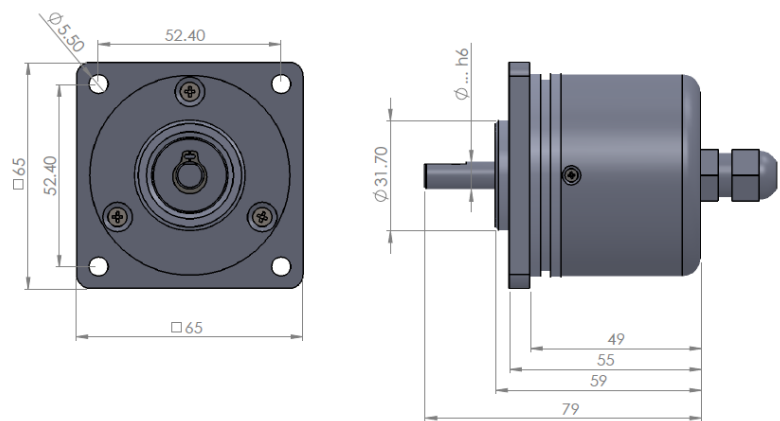
Synchro Flange



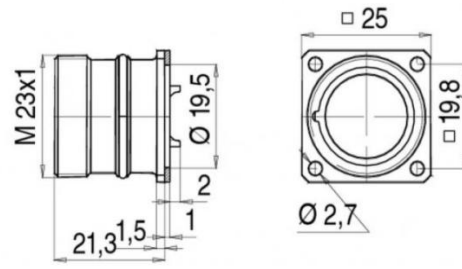
Tacho Flange



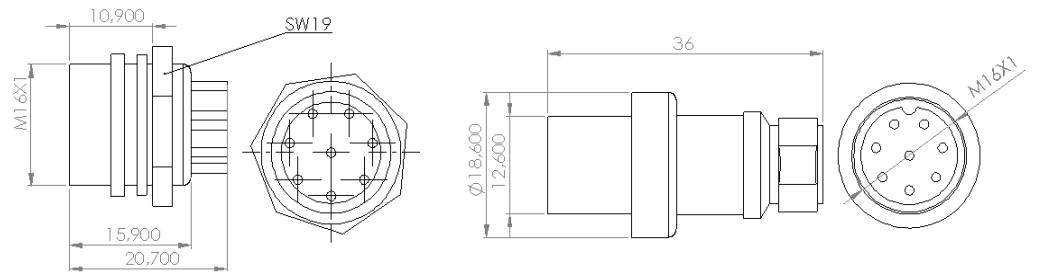
Square Flange



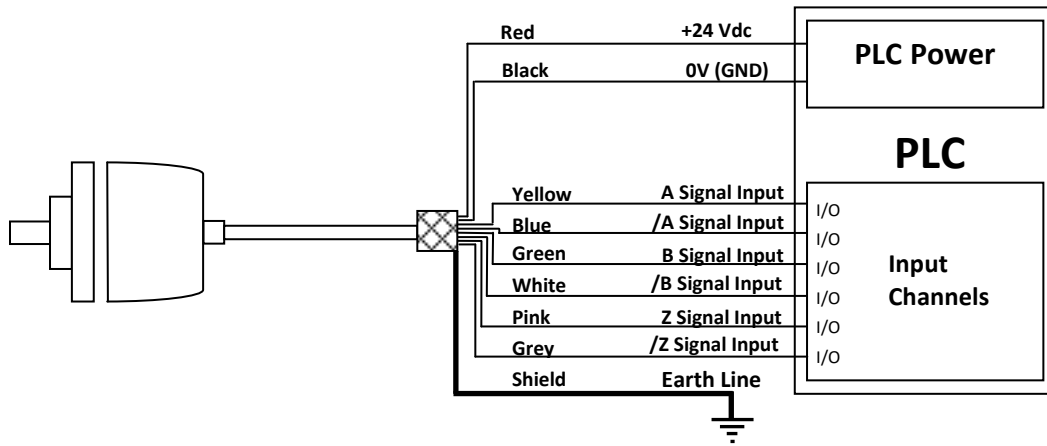
**S23 Socket Connector**



**S16 Socket Connector**



## SAMPLE APPLICATION



S16 (M16, 8 Pin)  
Socket Connector



Square Flange and  
S23 (M23, 12Pin)



Backside Poliemid  
Spiral



Clamping Flange



Synchro Flange



Tacho Flange

## ORDER CODING

<b>Series</b> ARC : Optical	<b>Body Diameter</b> 58 : 58 mm	<b>Power Supply and Output</b> PP : 10...30 VDC Supply : 10...30VDC Output TTL : 5 VDC Supply : 5 VDC TTL Output HTL : 10...30 VDC Supply : 5 VDC TTL Output HPL : 5...24 VDC Supply : 5...24 VDC Push-Pull Output OCL : Open Collector	<b>Cable Length</b> 3M : 3M (Standard) 5M : 5M 8M : 8M 10M : 10M S16 : M16 8Pin Socket Connector (Only Backside) S23 : M23 12 Pin Socket Connector (Only Sidewise) *Optional up to 35 meters	<b>Shaft Diameter</b> 6 : 6 mm 8 : 8 mm 10 : 10 mm	
ARC - S - 58 - XXX - XXX - X - XM - X - X - X	<b>Shaft Type</b> S : Shafted	<b>Resolution</b> See resolutions*	<b>Output Signals</b> 3 : A, B, Z 6 : A, /A, B, /B, Z, /Z	<b>Cable Direction</b> A : Backside Y : Sidewise AS : Backside + Spiral	<b>Flange Type</b> C : Clamping S : Synchro T : Tacho

### \*Resolutions:

60 - 100 - 360 - 500 - 1024 - 1250 - 2000 - 2048 - 2500 - 3600 - 4096 - 5000 - 8192 - 10000  
- 16384 - 20000 (Optional)

## Atek Sensor Technology A.S.



Tuzla Kimya Sanayicileri Org. San. Bolg. Melek Aras Bulvari, No:67 34956 Tuzla - Istanbul / TURKEY  
Tel: +90 216 399 44 04 Fax: +90 216 399 44 02  
[www.ateksensor.com](http://www.ateksensor.com) [info@ateksensor.com](mailto:info@ateksensor.com)